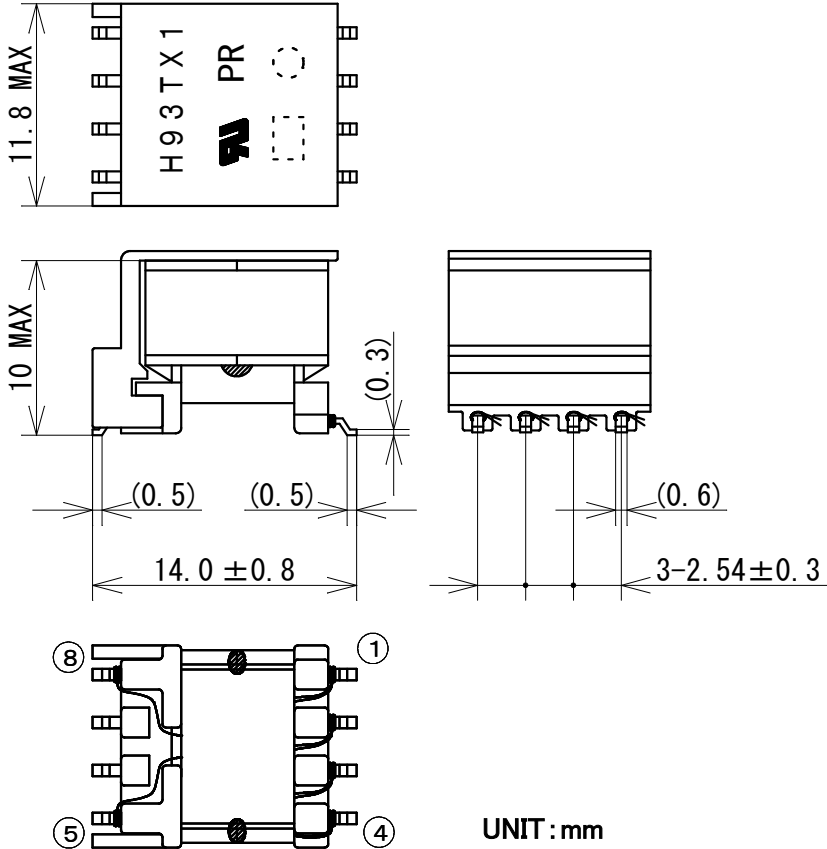


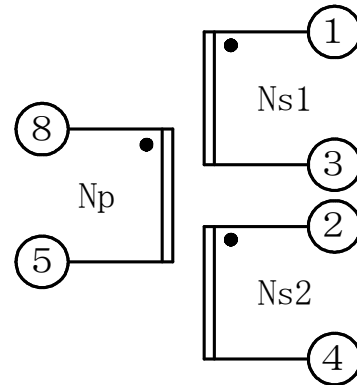
H93TX1

Reinforced Insulation
Power line Communication Coupling
Transformer For CENELEC A,B, FCC,ARIB.

MECHANICAL DIMENSIONS



SCHEMATIC



Turns Ratio
 $N_p : N_{s1} + N_{s2} = 1 : 1$

UL File No. : E117865
Creepage distance : 5.2mm
(4.0mm-Insulation material group I)
Working Voltage $V_{rms} = 240V$
Overvoltage category : III
Pollution degree : II
Insulation material group : I , III b

※Precautions for use

For transformers that have been manufactured for more than 6 months, please check the solder wettability of the terminals before use.

ELECTRICAL SPECIFICATIONS

Parameter	Pins Under Test	Test Conditions	STD TOLERANCE
Breakdown Voltage	1 : 8	Vac 3600Vrms 2sec	
Inductance	8 - 5	10kHz 0.1V	$\geq 600\mu H$
Leakage Inductance	8 - 5 (1-3,2-4 SHORT)	1MHz 0.1V	$\leq 1.0\mu H$
Interwinding Capacitance	1 - 8 (2-3 SHORT)	10kHz 0.1V	$\leq 40pF$
DC Resistance	1 - 4 (2-3 SHORT)	T = 25°C	$\leq 0.32 \Omega$
	8 - 5		$\leq 0.40 \Omega$